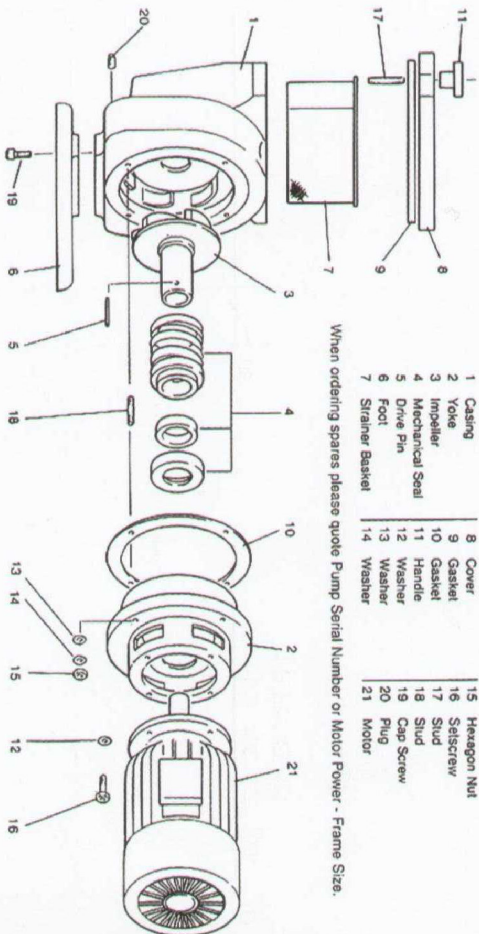


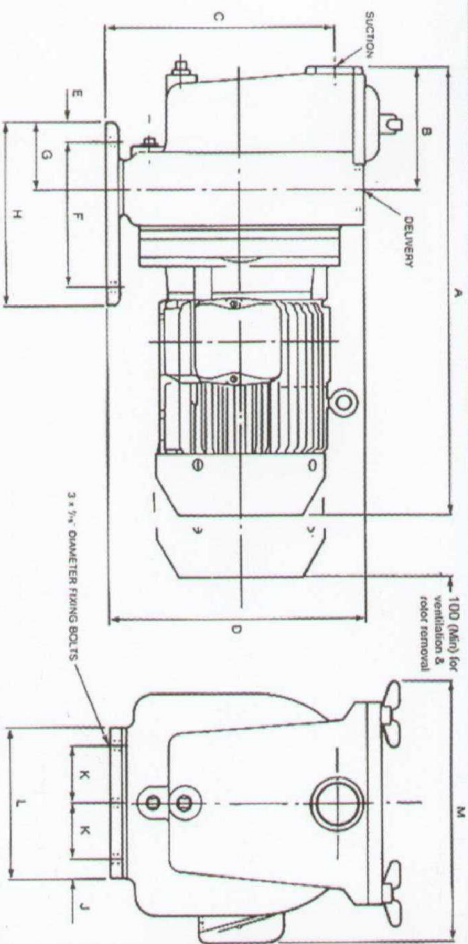
SPARES



When ordering spares please quote Pump Serial Number or Motor Power - Frame Size.

- | | | | | | |
|---|-----------------|----|--------|----|-------------|
| 1 | Casing | 8 | Cover | 15 | Hexagon Nut |
| 2 | Yoke | 9 | Gasket | 16 | Setscrew |
| 3 | Impeller | 10 | Gasket | 17 | Slud |
| 4 | Mechanical Seal | 11 | Handle | 18 | Slud |
| 5 | Drive Pin | 12 | Washer | 19 | Cap Screw |
| 6 | Foot | 13 | Washer | 20 | Plug |
| 7 | Strainer Basket | 14 | Washer | 21 | Motor |

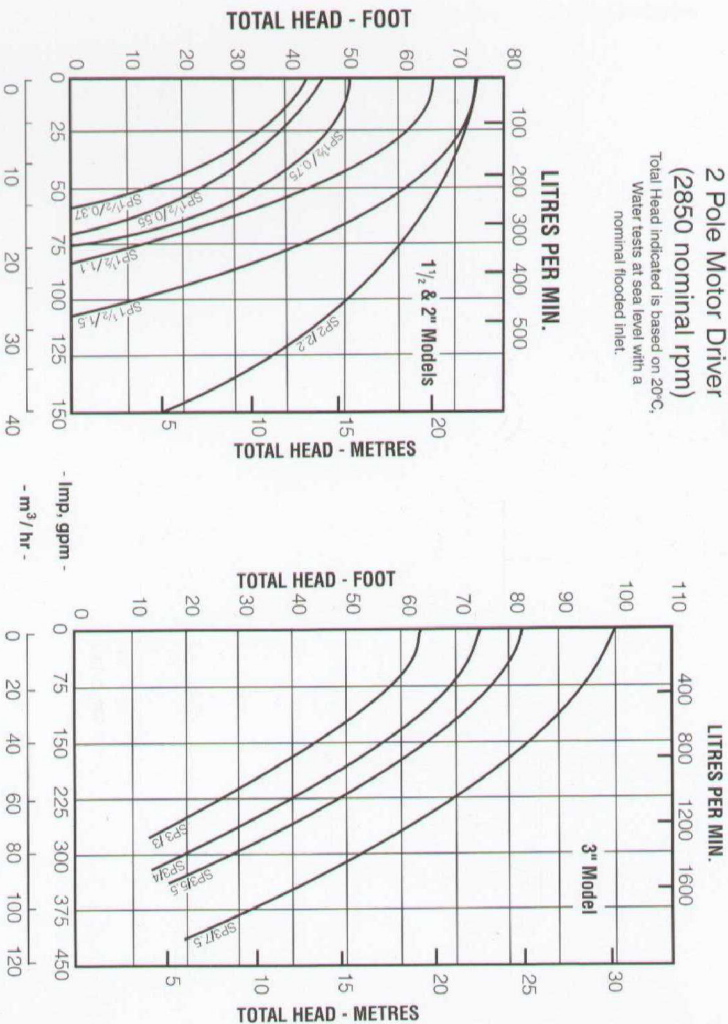
INSTALLATION DIMENSIONS



MODEL	BRANCH SIZE BSP IN X OUT	MOTOR KW (BHP)	Typical Dimensions mm													MOTOR FRAME SIZE	UNIT WT kg	
			A	B	C	D	E	F	G	H	J	K	L	M				
SP1 1/2	0.55	0.37(1/2)	480														32	56
	0.75	0.55(3/4)	500														32	56
	1.1	0.75(1)	515	159													32	56
SP2	1.5	1.1(1 1/2)	535														32	56
	2.2	1.5(2)	560														32	56
	3.0	2.2(2)	580	155													32	56
SP3	3.7	2.7(3)	637														32	56
	4.5	3.3(3 1/2)	650														32	56
	7.5	5.5(7 1/2)	700	197	330	304	25	197	86	243						32	56	

AVERAGE PUMP PERFORMANCE CHARACTERISTICS

SP RANGE with 50Hz
2 Pole Motor Driver
(2850 nominal rpm)
Total Head indicated is based on 20°C,
Water tests at sea level with a
nominal flooded inlet.



TECHNICAL

Units.

Are electrically driven self priming centrifugal single stage end suction type being radially split "back pull out" design, incorporating mechanical shaft sealing and "coarse mesh" suction strainer. Complying to latest Low Voltage, Machinery & Electromagnetic Compatibility and Pressure Equipment Directives.

Pump.

Working Pressure - 4.5 bar (65psi) max.
Suction Pressure - 1 bar (14.5psi) max.
Temperature - 5 to 80°C liquid temperature.
Usage - Suitable for the movement of water or liquids which are compatible with the materials of construction.
Construction

- Castings in either Cast Iron to BS EN 1561 or Bronze to BS EN 1982 specifications.
- Impeller and shaft sleeve in Bronze to specifications.
- Shaft seal - Carbon v Ceramic, with stainless steel and Nitrile rubber components.
- Strainer - basket - Plastic coated steel or stainless steel.
- Gaskets Strainer Cover in Natural Rubber - casing in Asbestos free fibre to BS7531 Grade Y.
- Screwed BS21 - BSP PI thread.

Motor.

Connections
Enclosure
Insulation
Rating
Single phase
Three phase
Frequency

- IEFV with IP54 (minimum) protection.
- Class "F" with 140°C temperature limit. Normal design limit 120°C (class "B").
- Continuous for ambient temperature - 20 to +40°C, and up to 1000m altitude.
- Normally 4kW and below started DOL, above Star Delta start.
- 50Hz detailed - 60Hz and variable speed on request.

(1) Allow for coating air (100 for removal is sufficient). (2) Allow for side mounted terminal box, cover removal. SP11/2 & both have 4 fixing holes - SP3 (single hole under drain)